

To our customers,

Old Company Name in Catalogs and Other Documents

On April 1st, 2010, NEC Electronics Corporation merged with Renesas Technology Corporation, and Renesas Electronics Corporation took over all the business of both companies. Therefore, although the old company name remains in this document, it is a valid Renesas Electronics document. We appreciate your understanding.

Renesas Electronics website: <http://www.renesas.com>

April 1st, 2010
Renesas Electronics Corporation

Issued by: Renesas Electronics Corporation (<http://www.renesas.com>)

Send any inquiries to <http://www.renesas.com/inquiry>.

Notice

1. All information included in this document is current as of the date this document is issued. Such information, however, is subject to change without any prior notice. Before purchasing or using any Renesas Electronics products listed herein, please confirm the latest product information with a Renesas Electronics sales office. Also, please pay regular and careful attention to additional and different information to be disclosed by Renesas Electronics such as that disclosed through our website.
2. Renesas Electronics does not assume any liability for infringement of patents, copyrights, or other intellectual property rights of third parties by or arising from the use of Renesas Electronics products or technical information described in this document. No license, express, implied or otherwise, is granted hereby under any patents, copyrights or other intellectual property rights of Renesas Electronics or others.
3. You should not alter, modify, copy, or otherwise misappropriate any Renesas Electronics product, whether in whole or in part.
4. Descriptions of circuits, software and other related information in this document are provided only to illustrate the operation of semiconductor products and application examples. You are fully responsible for the incorporation of these circuits, software, and information in the design of your equipment. Renesas Electronics assumes no responsibility for any losses incurred by you or third parties arising from the use of these circuits, software, or information.
5. When exporting the products or technology described in this document, you should comply with the applicable export control laws and regulations and follow the procedures required by such laws and regulations. You should not use Renesas Electronics products or the technology described in this document for any purpose relating to military applications or use by the military, including but not limited to the development of weapons of mass destruction. Renesas Electronics products and technology may not be used for or incorporated into any products or systems whose manufacture, use, or sale is prohibited under any applicable domestic or foreign laws or regulations.
6. Renesas Electronics has used reasonable care in preparing the information included in this document, but Renesas Electronics does not warrant that such information is error free. Renesas Electronics assumes no liability whatsoever for any damages incurred by you resulting from errors in or omissions from the information included herein.
7. Renesas Electronics products are classified according to the following three quality grades: “Standard”, “High Quality”, and “Specific”. The recommended applications for each Renesas Electronics product depends on the product’s quality grade, as indicated below. You must check the quality grade of each Renesas Electronics product before using it in a particular application. You may not use any Renesas Electronics product for any application categorized as “Specific” without the prior written consent of Renesas Electronics. Further, you may not use any Renesas Electronics product for any application for which it is not intended without the prior written consent of Renesas Electronics. Renesas Electronics shall not be in any way liable for any damages or losses incurred by you or third parties arising from the use of any Renesas Electronics product for an application categorized as “Specific” or for which the product is not intended where you have failed to obtain the prior written consent of Renesas Electronics. The quality grade of each Renesas Electronics product is “Standard” unless otherwise expressly specified in a Renesas Electronics data sheets or data books, etc.
 - “Standard”: Computers; office equipment; communications equipment; test and measurement equipment; audio and visual equipment; home electronic appliances; machine tools; personal electronic equipment; and industrial robots.
 - “High Quality”: Transportation equipment (automobiles, trains, ships, etc.); traffic control systems; anti-disaster systems; anti-crime systems; safety equipment; and medical equipment not specifically designed for life support.
 - “Specific”: Aircraft; aerospace equipment; submersible repeaters; nuclear reactor control systems; medical equipment or systems for life support (e.g. artificial life support devices or systems), surgical implantations, or healthcare intervention (e.g. excision, etc.), and any other applications or purposes that pose a direct threat to human life.
8. You should use the Renesas Electronics products described in this document within the range specified by Renesas Electronics, especially with respect to the maximum rating, operating supply voltage range, movement power voltage range, heat radiation characteristics, installation and other product characteristics. Renesas Electronics shall have no liability for malfunctions or damages arising out of the use of Renesas Electronics products beyond such specified ranges.
9. Although Renesas Electronics endeavors to improve the quality and reliability of its products, semiconductor products have specific characteristics such as the occurrence of failure at a certain rate and malfunctions under certain use conditions. Further, Renesas Electronics products are not subject to radiation resistance design. Please be sure to implement safety measures to guard them against the possibility of physical injury, and injury or damage caused by fire in the event of the failure of a Renesas Electronics product, such as safety design for hardware and software including but not limited to redundancy, fire control and malfunction prevention, appropriate treatment for aging degradation or any other appropriate measures. Because the evaluation of microcomputer software alone is very difficult, please evaluate the safety of the final products or system manufactured by you.
10. Please contact a Renesas Electronics sales office for details as to environmental matters such as the environmental compatibility of each Renesas Electronics product. Please use Renesas Electronics products in compliance with all applicable laws and regulations that regulate the inclusion or use of controlled substances, including without limitation, the EU RoHS Directive. Renesas Electronics assumes no liability for damages or losses occurring as a result of your noncompliance with applicable laws and regulations.
11. This document may not be reproduced or duplicated, in any form, in whole or in part, without prior written consent of Renesas Electronics.
12. Please contact a Renesas Electronics sales office if you have any questions regarding the information contained in this document or Renesas Electronics products, or if you have any other inquiries.

(Note 1) “Renesas Electronics” as used in this document means Renesas Electronics Corporation and also includes its majority-owned subsidiaries.

(Note 2) “Renesas Electronics product(s)” means any product developed or manufactured by or for Renesas Electronics.

BIPOLAR ANALOG INTEGRATED CIRCUIT

μ PC1237

PROTECTOR IC FOR STEREO POWER AMPLIFIER

DESCRIPTION

μ PC1237 is a monolithic integrated circuit designed for protecting stereo power amplifiers and loudspeakers.

FEATURES

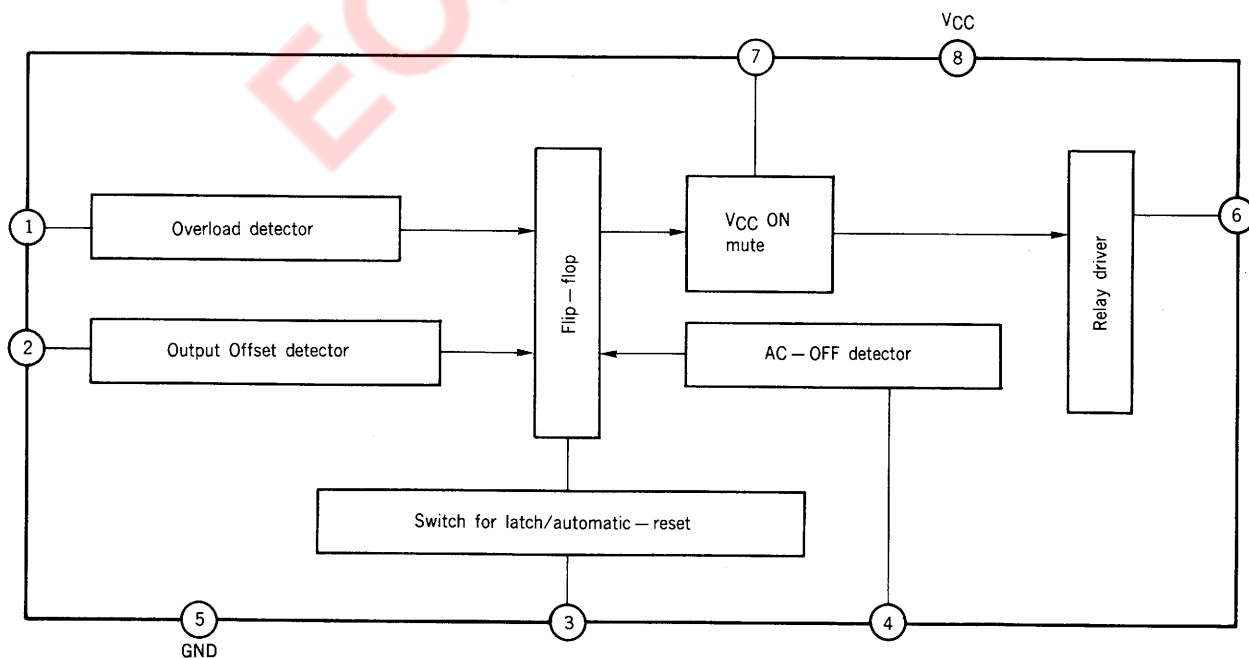
- Work stably within a wide power supply voltage range. ($V_{CC} = 25$ to 60 V)
- Contain a relay driver. (Max. $I_G = 80$ mA)
- Work as either latching function or automatic resetting function by using pin 3. (In both overload detection and output offset detection, either function can be selected.)
- Need only single power supply.
- Both positive and negative output offset can be detected through the same pin. (Output offset detection through pin 2)
- AC voltage can be detected. (For AC-power-OFF mute through pin 4)
- The time delay from amplifier power ON to relay ON can be freely set by selecting external components. (For AC-power-ON mute through pin 7)
- The moment that amplifier-power is turned off, it can make relay broken OFF and then loudspeaker disconnected from amplifier to prevent a shock off noise.

ORDERING INFORMATION

PART NUMBER	PACKAGE	QUALITY GRADE
μ PC1237HA	8 PIN PLASTIC SLIM SIP	Standard

Please refer to "Quality grade on NEC Semiconductor Devices" (Document number IEI-1209) published by NEC Corporation to know the specification of quality grade on the devices and its recommended applications.

BLOCK DIAGRAM



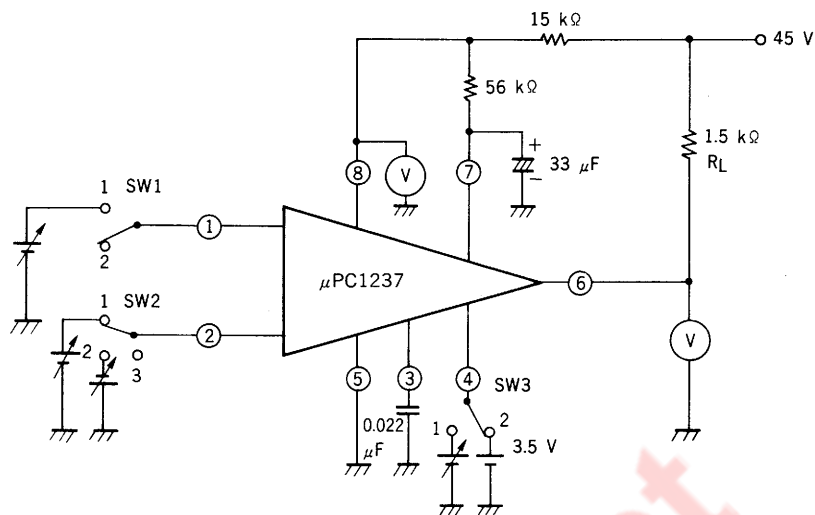
ABSOLUTE MAXIMUM RATINGS ($T_a = 25^\circ\text{C}$)

Power Supply Voltage	V_{CC}	60	V
Allowable Power Dissipation	P_D	320*	mW
Operational Temperature	T_{opt}	-20 to +75	$^\circ\text{C}$
Storage Temperature	T_{stg}	-40 to +125	$^\circ\text{C}$
Pin 6 Maximum Current	$I_6 \text{ max}$	80	mA
Pin 4 Maximum Voltage	$V_4 \text{ max}$	10	V
Pin 8 Maximum Voltage	$V_8 \text{ max}$	8	V
Pin 1 Maximum Current	$I_1 \text{ max}$	3	mA
Pin 2 Maximum Current	$I_2 \text{ max}$	± 3	mA
Pin 7 Maximum Voltage	$V_7 \text{ max}$	8	V

* $T_a = 75^\circ\text{C}$ **RECOMMENDED OPERATING CONDITION**Supply Voltage $V_{CC} = 25$ to 45 to 60 V**ELECTRICAL CHARACTERISTICS ($V_{CC} = 45$ V, $T_a = 25^\circ\text{C}$, State using latching function)**

CHARACTERISTIC	SYMBOL	MIN	TYP.	MAX.	UNIT	CONDITION
Pin 1 Threshold Voltage	$V_{th 1}$	0.58	0.67	0.76	V	level to invert at pin 6
Pin 2 Positive Threshold Voltage	V_{th}^{+2}	0.54	0.62	0.70	V	level to invert at pin 6
Pin 2 Negative Threshold Voltage	V_{th}^{-2}	-0.12	-0.17	-0.23	V	level to invert at pin 6
Pin 4 Threshold Voltage	$V_{th 4}$	0.60	0.74	0.90	V	level to invert at pin 6
Pin 8 Reference Voltage	V_8	3.0	3.4	3.8	V	$R_L = 1.5 \text{ k}\Omega$

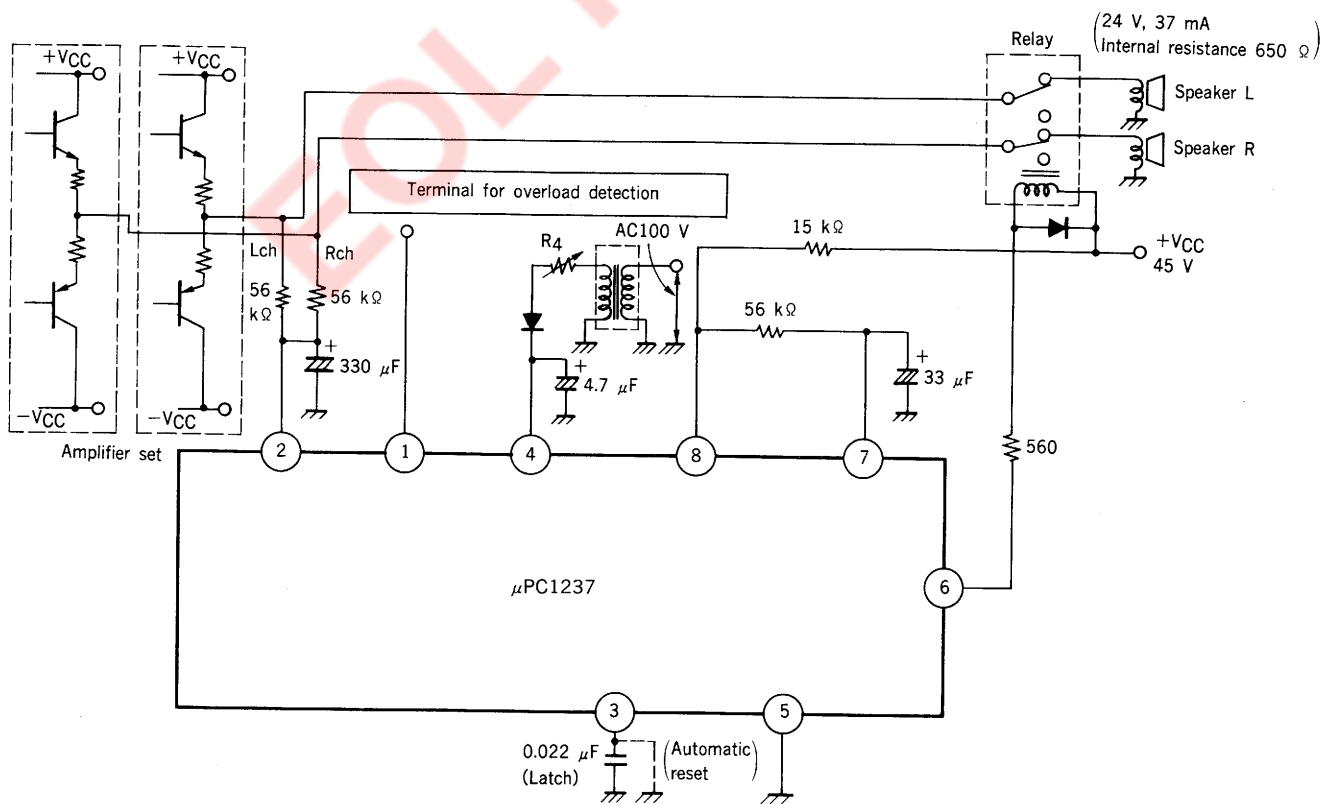
TEST CIRCUIT (State using latching function)



Switch positions

Item	SW 1	SW 2	SW 3
Vth 1	1	3	2
Vth +2	2	1	2
Vth -2	2	2	2
Vth 4	2	3	1
V8	2	3	2

TYPICAL APPLICATION CIRCUIT



NOTE FOR USING μPC1237

1. FUNCTION FOR OUTPUT OFFSET DETECTION (pin 2)

1) If too much DC current flows through a speaker voice coil due to large output offset DC level, the voice coil might be overheated and the speaker might be broken. To prevent the damage, it is necessary to detect the Output Offset DC level and to disconnect the speaker from the power amplifier by breaking off a relay if the detected DC level is shifted beyond a threshold level. μPC1237 has a function to detect both the positive and the negative Output Offset DC level with its single power supply. As shown below, you can easily make the positive and the negative threshold level equivalent and also set up their level by choosing proper resistances.

2) How to determine the threshold levels of Output Offset detection. (±Vth)

[1] The threshold level of positive output offset detection (+Vth) is given by Eq. (1).

$$+V_{th} = \left(2 + \frac{R_A}{R_C}\right) \cdot V_{th}^{+2}, \dots\dots\dots (1)$$

where V_{th}^{+2} is the original positive threshold level of pin 2, and $V_{th}^{+2} = 0.62 \text{ V TYP.}$

[2] The threshold level of negative Output Offset detection (-Vth) is given by Eq. (2).

$$-V_{th} = - \left\{ -V_{th}^{-2} \cdot \left(2 + \frac{R_A}{R_C}\right) + I_{c2} \cdot R_A \right\}, \dots\dots\dots (2)$$

where V_{th}^{-2} is the original negative threshold level of pin 2, and $V_{th}^{-2} = -0.17 \text{ V TYP.}$

and I_{c2} is the current from μPC1237 and, $I_{c2} = 12.5 \mu\text{A TYP.}$

at nearly -Vth.

3) You can easily find how to make ±Vth level equivalent as shown below

$$\left(2 + \frac{R_A}{R_C}\right) \cdot V_{th}^{+2} = - \left\{ -V_{th}^{-2} \cdot \left(2 + \frac{R_A}{R_C}\right) + I_{c2} \cdot R_A \right\}, \dots\dots\dots (3)$$

therefore determine R_A , R_B and R_C from Eq. (3)

Attention; The original positive and negative threshold level at pin 2 without any resistances are unbalanced; $+V_{th} = 0.62 \text{ V TYP.}$ and $-V_{th} = -0.17 \text{ V TYP.}$

Example of design

If you need the output offset threshold level ±Vth to be ±2.0 V, determine R_A , R_B and R_C as shown below.

[1] Substitute 2.0 to +Vth in Eq. (1) and obtain R_A / R_C .

$$2.0 = \left(2 + \frac{R_A}{R_C}\right) \times 0.62$$

$$\frac{R_A}{R_C} = 1.226$$

[2] Substitute -2.0 to -Vth in Eq. (2) and obtain R_A (R_B) and R_C .

$$-2.0 = -0.17 \left(2 + 1.226\right) - 12.5 (\mu\text{A}) \times R_A (\text{k}\Omega) (\text{V})$$

$$R_A = 116.1 \text{ k}\Omega$$

$$R_C = 94.7 \text{ k}\Omega$$

Therefore, if you need ±Vth to be 2.0 volts, choose R_A , R_B and R_C as shown below.

$$R_A = R_B = 120 \text{ k}\Omega \text{ and } R_C = 91 \text{ k}\Omega$$

The lower limits of R_A and R_B are given by the maximum rating (±3 mA) of pin 2 and

$$\frac{\pm V_{CC}}{R_{A(B)}} < \pm 3 (\text{mA})$$

In case of recommended condition, that is $R_A = R_B = 56 \text{ k}\Omega$ and $R_C = \infty$, ±Vth can be obtained as shown below.

$$[1] +V_{th} = \left(2 + \frac{56 (\text{k}\Omega)}{\infty}\right) \cdot 0.62 = 1.24 (\text{V})$$

$$[2] -V_{th} = -0.17 \left(2 + \frac{56 (\text{k}\Omega)}{\infty}\right) - 12.5 (\mu\text{A}) \times 56 (\text{k}\Omega) = -1.04 (\text{V})$$

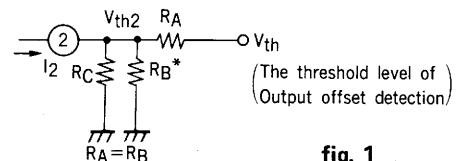


fig. 1

* Rch power amplifier output terminal is usually an imaginally GND as seen from Lch power amplifier, so that the equivalent circuit can be obtained as shown above.

2. FUNCTION OF AC LEVEL DETECTION

When you turn off the power switch, it sometimes causes a shock-off noise, therefore it is necessary to break off the relay and then to keep the power amplifier apart from loud speaker at the moment that power switch is turned off. In other words, the protection circuit is required to have a function to detect that power-off time. However, in fact, it is difficult to detect that power-off time from actual DC supply voltage line. Because it cannot be turned 0 V instantaneously due to a large capacitance inserted between the power supply line and GND. In case of μPC1237, it can detect this power-off time from AC power supply directly, that is, this is a function to detect AC level.

The AC power supply level (usually 50 Hz or 60 Hz) can be transmitted to pin 4 through a half-wave rectification circuit as shown below.

And it works within a wide range of AC level by choosing a proper resistance as R4 (Refer to the characteristic curve shown as fig.5 for the choice of R4). If power switch is turned off while the relay is being made ON and the speaker is being connected to the power amplifier output, the relay will be broken OFF to disconnect the speaker after a time delay (AC OFF mute) according to the discharge time constant determined by the voltage on pin 4, the external capacitance C4, and the internal resistance of the IC.

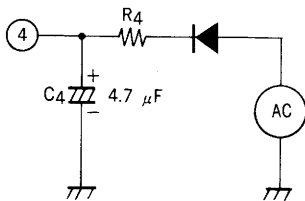


fig. 2

3. FUNCTION OF OVERLOAD DETECTION (pin 1)

The original threshold level of pin 1 is 0.67 V TYP. In case of using a constant-current drive, as the means of detection, the threshold current level is 110 μA TYP. When current which is larger than 110 μA flows to the IC, the relay will be broken OFF.

Note ; The overload detecting circuit is not included in the IC because of patent problems. Use the external circuit as an overload detection.

4. FUNCTION OF LATCHING AND AUTOMATIC RESETTING (pin 3)

If the IC detects the abnormal condition such as the larger output offset level or the overload, the IC can make the relay broken OFF. And then, two functions can be selected after the condition returns to the normal state. One is that the relay is made ON automatically and the other is that it keeps the relay broken off until once the power switch is turned off and then is turned on again.

The former is a function of automatic resetting and the latter is a function of latching. μPC1237 has both functions and can be selected either function by using pin 3. In case of latching, connect pin 3 to the ground through the capacitor, which is for preventing misoperation. For automatic resetting, connect it to the ground directly. This function is valid for both overload detection and output offset detection.

5. TIME DELAY FROM POWER AMPLIFIER POWER SWITCH ON TO RELAY ON (power-on mute at pin 7)

To suppress shock-on noise generated by power ON, a time delay is provided by connecting a circuit with a time constant. This time delay is set to make relay ON to connect speakers after enough time for the power amplifier and the preamplifier to reach a stable operating condition. The ON mute time is determined as follows,

$$T \text{ (ON mute)} = -C_7 \cdot R_7 \cdot \ln \frac{V_8 - V_7}{V_8} ,$$

where V_8 is reference voltage at pin 8, 3.40 volts, TYP. and V_7 is threshold level at pin 7, 2.06 volts, TYP.

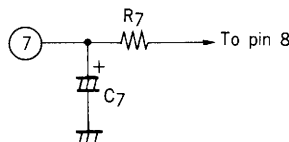


fig. 3

6. HOW TO MAKE IT WORK WITHIN A WIDE RANGE OF POWER SUPPLY VOLTAGE (pin 8)

By choosing a proper resistance R_8 connected to pin 8, the IC can work within a wide range of power supply voltage V_{CC} from 25 to 60 volts.

In case that pin 8 is directly driven by a regulated power supply, set V_8 to 3.40 volts, TYP. As for the choice of R_8 value, refer to the characteristic curve shown as fig.6.

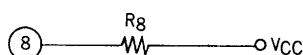


fig. 4

fig. 5 OPTIMUM VALUE OF EXTERNAL RESISTANCE R_4

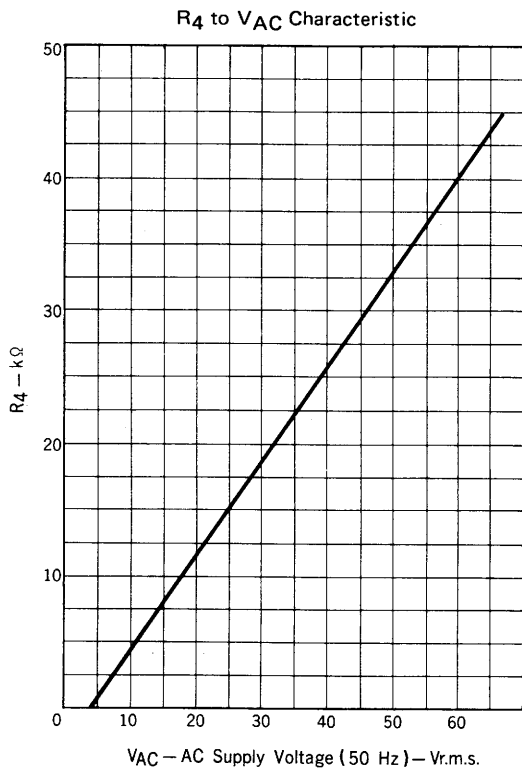
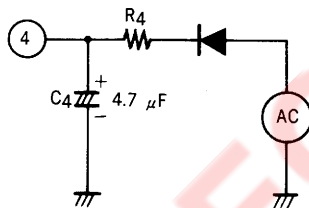
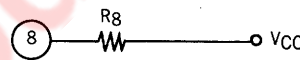
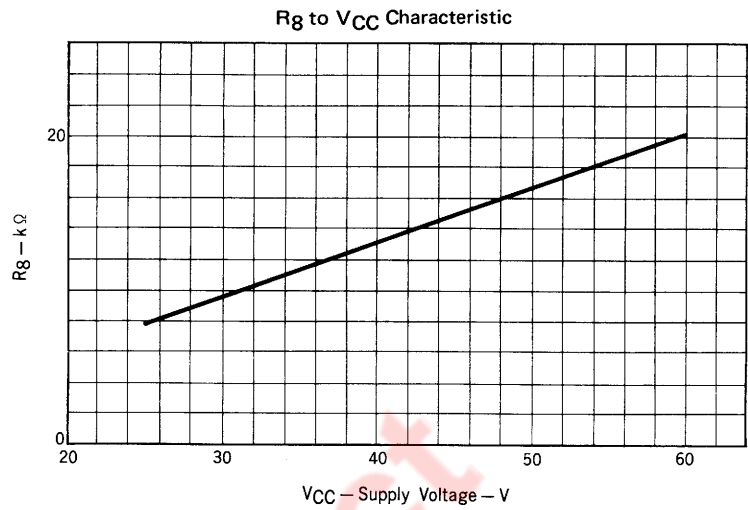


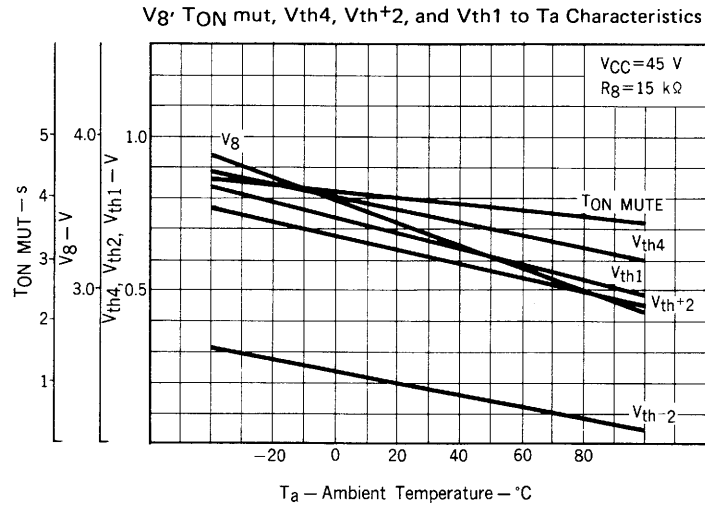
fig. 6 OPTIMUM VALUE OF EXTERNAL RESISTANCE R_8



Example) Use of E-24 series.
 Select 15 kΩ R₈ for 45 volts V_{CC}.
 If no resistance of specified value is available,
 choose a resistance which is as close as possible
 to and lower than the value specified by the diagram.

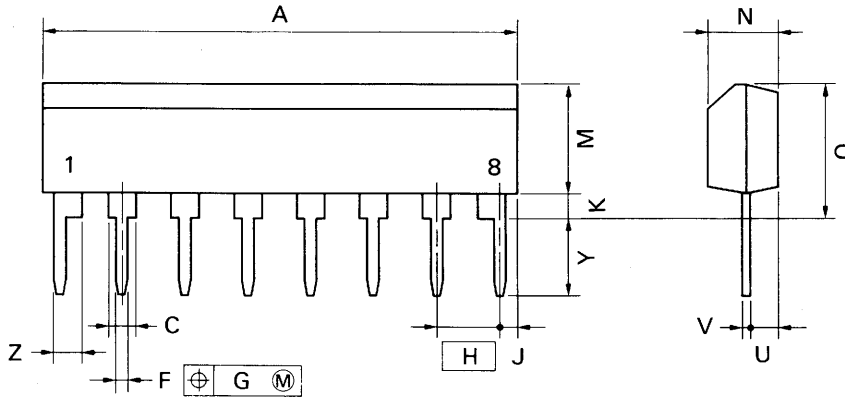
Example) Use of E-24 series.
 Select 24 kΩ R₄ for 40 volts r.m.s. V_{AC}.
 If no resistance of specified value is available,
 choose a resistance which is as close as possible
 to and lower than the value specified by the diagram.

TEMPERATURE CHARACTERISTIC



EOL Product

8 PIN PLASTIC SLIM SIP



P8HA-254B

NOTE

Each lead centerline is located within 0.25 mm (0.01 inch) of its true position (T.P.) at maximum material condition.

ITEM	MILLIMETERS	INCHES
A	20.32 MAX.	0.8 MAX.
C	1.1 MIN.	0.043 MIN.
F	0.5 ^{+0.1}	0.02 ^{+0.004}
G	0.25	0.01
H	2.54	0.1
J	1.27 MAX.	0.05 MAX.
K	0.51 MIN.	0.02 MIN.
M	5.08 MAX.	0.2 MAX.
N	2.8 ^{+0.2}	0.11 ^{+0.008}
Q	5.75 MAX.	0.227 MAX.
U	1.5 MAX.	0.059 MAX.
V	0.25 ^{+0.008}	0.01 ^{+0.003}
Y	3.2 ^{+0.5}	0.126 ^{+0.02}
Z	1.1 MIN.	0.043 MIN.

EOL Product

[MEMO]

No part of this document may be copied or reproduced in any form or by any means without the prior written consent of NEC Corporation. NEC Corporation assumes no responsibility for any errors which may appear in this document.

NEC Corporation does not assume any liability for infringement of patents, copyrights or other intellectual property rights of third parties by or arising from use of a device described herein or any other liability arising from use of such device. No license, either express, implied or otherwise, is granted under any patents, copyrights or other intellectual property rights of NEC Corporation or others.

The devices listed in this document are not suitable for use in the field where very high reliability is required including, but not limited to, aerospace equipment, submarine cables, nuclear reactor control systems and life support systems. If customers intend to use NEC devices for above applications or those intend to use "Standard" quality grade NEC devices for the application not intended by NEC, please contact our sales people in advance.

Application examples recommended by NEC Corporation

Standard: Data processing and office equipment, Communication equipment (terminal, mobile), Test and Measurement equipment, Audio and Video equipment, Other consumer products, Industrial robots, etc.

Special: Automotive and Transportation equipment, Communication equipment (trunk line), Train and Traffic control devices, Burning control systems, antidisaster systems, anticrime systems etc.